

Preparation:

Tools For Installation

- Pencil
- Drill
- Tape Measure
- Wire Cutter
- Phillips Screwdriver
- Utility Knife
- Safety Eye Wear
- Gloves
- Sandpaper

Speaker Wire Guide

- 18AWG minimum - for distances up to 10 ft
- 16AWG - from 10 to 50 ft
- 14AWG - from 50 to 100 ft

Considerations

- Where is the best place to install the speakers?
- Where do the speakers sound the best?
- Separate the speakers 6 - 10 feet apart.

Installation:

Cut Out

NOTE: This is the most important part of the entire installation.

If you are not certain whether any obstructions exist behind the desired mounting area, you should start by cutting a small hole in the center of your penciled mounting hole with a drywall saw.

Trace along the included template. Cut along the traced line using a drywall saw or rotary drill. Use a piece of sandpaper to sand down the cut out edge for a smoother contour. **(See Diagram 1.)**

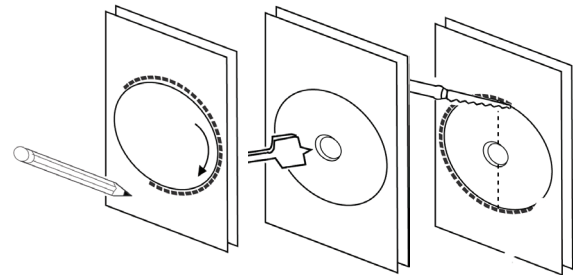


Diagram 1

Connection

When connecting any speakers to the amplifier always make sure the power is off. Locate the connection terminals on the back of your amplifier. Always make sure to connect audio out from the back of your amplifier to the speakers.

(See Diagram 2.)

NOTE: Not all Amplifier can safely play more than one pair of speakers at once. Please refer to your amplifier owner's manual for impedance and wattage compatibility.

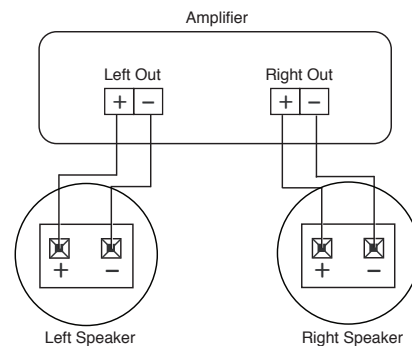


Diagram 2

Transformer Settings

Choose the correct setting on the dial for your particular application. **(See Diagram 3.)**

NOTE: Tap settings & dial may differ slightly from diagram depending on model.

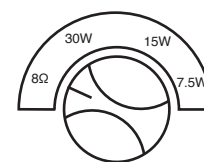


Diagram 3

Mounting

Tighten the mounting brackets by simply turning the screws on the front of the speaker baffle slowly clockwise. The quick-turn mounting system and frame will “sandwich” or clamp around the dry-wall to hold the speaker securely in place once fully tightened to the locked position.

(See Diagram 4.)

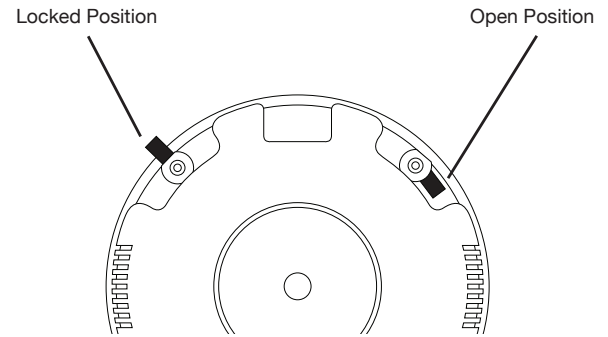


Diagram 4

Specs

6.5" 70V Commercial Ceiling Speaker W/ Backcan

Woofer: 6.5" PP Cone with Rubber Surround

Tweeter: 1/2" PEI Dome

Power: 100W

Sensitivity: 88 db 1w/1m

Frequency: 60Hz-20kHz

Impedance: 8 Ohms/ 70V

Transformer Settings: 30W/ 15W/ 7.5W & 8 Ω

Diameter & Depth: 9 1/2" x 5 1/2"

Cutout Diameter: 7 7/8"

WARRANTY

All OSD Audio speaker products have (10) Year Limited Warranty against defects in materials and workmanship. Proof of purchase must accompany all claims. During the warranty period OSD Audio will replace any defective part and correct any defect in workmanship without charge for either parts or labor OSD Audio may replace returned speakers with a product of equal value and performance. In such cases, some modification to the mounting may be necessary and are not OSD Audios responsibility.

For this warranty to apply, the unit must be installed and used according to its written instructions. If necessary, repairs must be performed by OSD Audio. The unit must be returned to OSD Audio at the owner's expense and with prior written permission. Accidental damage and shipping damage are not considered defects, nor is damaged resulting from abuse or from servicing performed by an agency or person not specifically authorized in writing by OSD Audio

OSD Audio sells products only through authorized dealers and distributors to ensure that customers obtain proper support and service. Any OSD Audio product purchased from an unauthorized dealer or other source, including retailers, mail over dealers and on-line sellers will not be honored or serviced under existing OSD Audio warranty policy. Any sale of product by an unauthorized source or other manner not authorized by OSD Audio shall void the warranty on the applicable product.

Damage to or destruction of components due to application of excessive power voids the warranty on those parts. In these cases, repairs will be made on the basis of the retail value of the parts and labor. To return for repairs, you must email customer service at RMA@audiogeargroup.com for a Returned Merchandise Authorization (RMA) number# then the unit must be shipped to OSD Audio at the owner's expense, along with a note explaining the nature of service required. Be sure to pack the speaker(s) in a corrugated container with at least 3 inches of resilient material to protect the unit from damage in transit.

This Warranty Does Not Cover: Damage caused by abuse, accident, misuse, negligence, or improper operation (installation) • Any products that have been altered or modified • Any product whose identifying number of decal, serial #, etc. has been altered, defaced or removed • Normal wear and maintenance.