

### Introduction

The OSD AB-1-2 is a dual source selector switch that permits a single pair of speakers to be driven by two input amplifiers or conversely allow a single amplifier to drive two pair of speakers.

### Instructions

**To connect two amplifiers/receivers and one pair of speakers (see FIG. A)**

Connect the First Amp/Rec's outputs to the AMP-A inputs. Make sure the polarity and channels are consistent.

**To connect one amplifier/receiver and two pairs of speakers: (see FIG. B)**

Take leads from the amplifier or receiver speaker output and connect to the speaker output on the AB-1-2 switch.

Connect one pair of speakers to AMP-A inputs. Keep the polarity and channels consistent. Connect the second pair of speakers to AMP-B inputs. Make sure both channels are consistent.

### Technical Specifications

- Frequency Response: 20Hz - 20KHz
- Wiring requirement: 14 - 16 gauge wire
- Mounting: Fits most standard single-gang junction boxes
- Dimensions: 1" W x 2¾" H x 1¾" D
- Warranty: 5 Years

FIG A

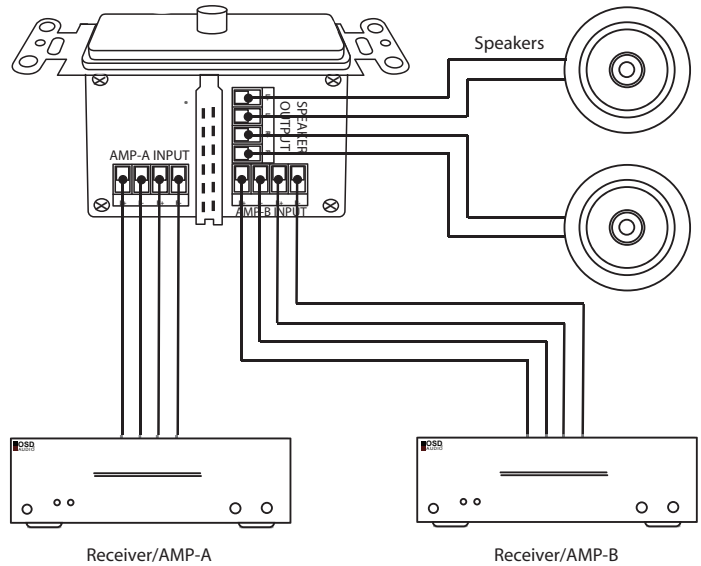
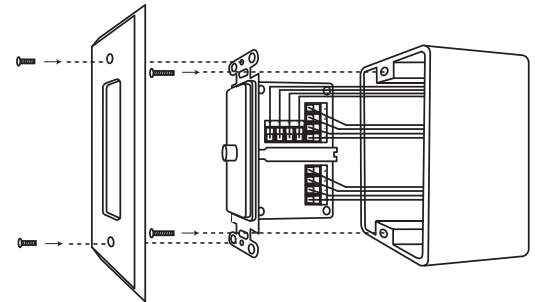
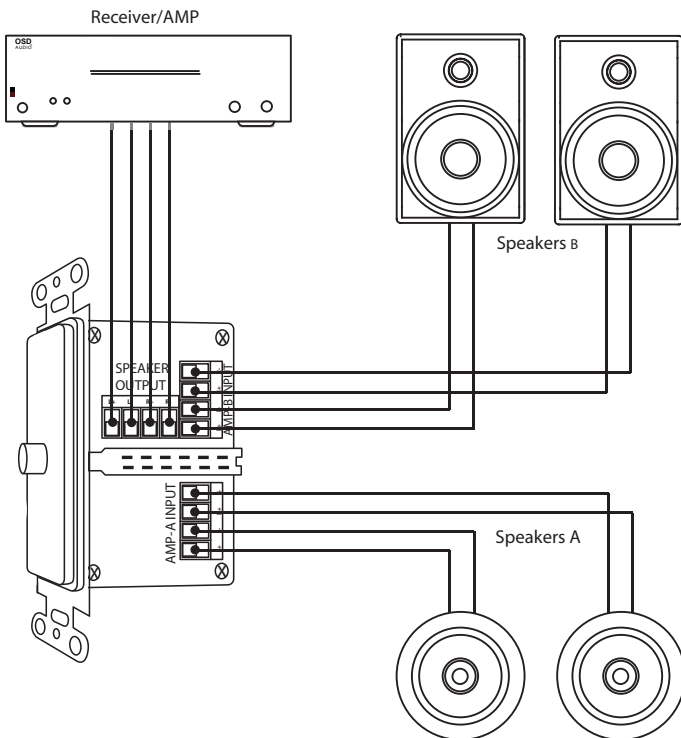


FIG. B



### Warranty & Repair

All OSD Audio speaker products have (5) year Limited Warranty against defects in materials and workmanship. Proof of purchase must accompany all claims. During the warranty period OSD will replace any defective part and correct any defect in workmanship without charge for either parts or labor.

OSD Audio may replace returned speakers with a product of equal value and performance. In such cases, some modifications to the mounting may be necessary and are not OSD's responsibility.

For this warranty to apply, the unit must be installed and used according to its written instructions. If necessary, repairs must be performed by OSD. The unit must be returned to OSD at the owner's expense and with prior written permission. Accidental damage and shipping damage are not considered defects, nor is damage resulting from abuse or from servicing performed by an agency or person not specifically authorized in writing by OSD.

OSD Audio sells products only through authorized dealers and distributors to ensure that customers obtain proper support and service. Any OSD product purchased from an unauthorized dealer or other source, including retailers, mail over dealers and online sellers will not be honored or serviced under existing OSD warranty policy. Any sale of product by an unauthorized source or other manner not authorized by OSD shall void the warranty on the applicable product.

Damage to or destruction of components due to application of excessive power voids the warranty on those parts. In these cases, repairs will be made on the basis of the retail value of the parts and labor. To return for repairs, you must email customer service at [RMA@osdaudio.com](mailto:RMA@osdaudio.com) for a Returned Merchandise Authorization (RMA) number# then the unit must be shipped to OSD at the owner's expense, along with a note explaining the nature of service required. Be sure to pack the speaker(s) in a corrugated container with at least 3 inches of resilient material to protect the unit from damage in transit.

#### This Warranty Does Not Cover:

Damage caused by abuse, accident, misuse, negligence, or improper operation (installation) • Any products that have been altered or modified • Any product whose identifying number of decal, serial #, etc. has been altered, defaced or removed • Normal wear and maintenance.